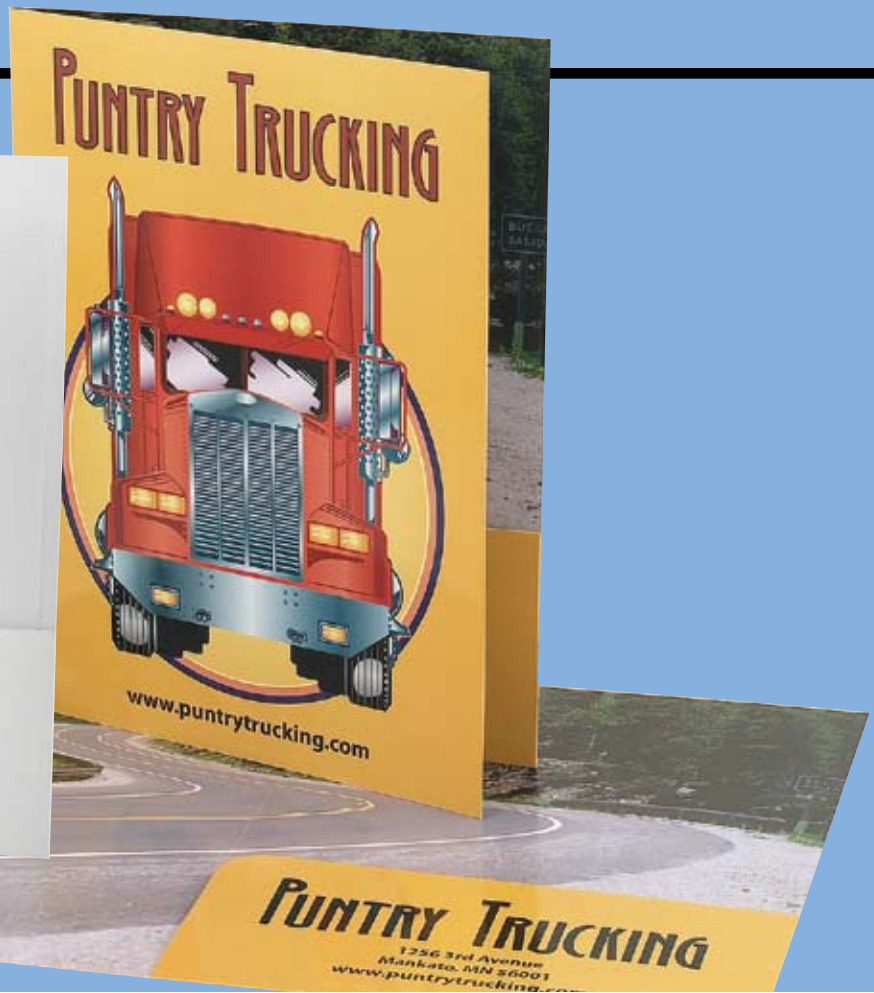


secured pocket folder



| secured pocket folder business value I stocks | smart art code | 50 | 100 | 250 | 500 | 1000 | 2000 | 2500 | 3000 | 5000 |
|--|-------------------|----------|--------|----------|----------|----------|----------|----------|----------|----------|
| no imprint 24hr | - | \$170.00 | 218.00 | 359.00 | 552.00 | 906.00 | 1,464.00 | 1,739.00 | 1,955.00 | 2,817.00 |
| 1 ink color 24hr | 1S | \$222.00 | 289.00 | 467.00 | 674.00 | 1,056.00 | 1,662.00 | 1,961.00 | 2,186.00 | 3,085.00 |
| 2 ink colors 24hr | 1S | \$342.00 | 409.00 | 587.00 | 814.00 | 1,229.00 | 1,899.00 | 2,228.00 | 2,478.00 | 3,460.00 |
| 1 color foil stamping* 24hr | 1S | \$302.00 | 372.00 | 557.00 | 773.00 | 1,172.00 | 1,812.00 | 2,128.00 | 2,370.00 | 3,337.00 |
| 1 blind embossing* | 1X | \$360.00 | 425.00 | 596.00 | 791.00 | 1,182.00 | 1,812.00 | 2,128.00 | 2,370.00 | 3,337.00 |
| four color process | 4C | \$792.00 | 859.00 | 1,037.00 | 1,264.00 | 1,679.00 | 2,349.00 | 2,678.00 | 2,928.00 | 3,910.00 |

Please note: the above prices are for business value I stocks. For all other stocks, please add the prices below. If not specified, raised ink will be used. For smart artwork guidelines see page 25.

additional stock options

(add the charges below to the top prices)

| | 50 | 100 | 250 | 500 | 1000 | 2000 | 2500 | 3000 | 5000 |
|-------------------------------|----------|--------|--------|--------|----------|----------|----------|----------|----------|
| business value II stocks | \$9.00 | 14.00 | 32.00 | 57.00 | 110.00 | 200.00 | 240.00 | 289.00 | 450.00 |
| business basics I stocks | \$8.00 | 13.00 | 28.00 | 45.00 | 85.00 | 160.00 | 200.00 | 240.00 | 400.00 |
| business basics II stocks | \$58.00 | 72.00 | 93.00 | 126.00 | 191.00 | 380.00 | 475.00 | 570.00 | 950.00 |
| business advantage I stocks | \$55.00 | 65.00 | 79.00 | 98.00 | 135.00 | 270.00 | 337.00 | 405.00 | 675.00 |
| business advantage II stocks | \$86.00 | 95.00 | 135.00 | 178.00 | 355.00 | 710.00 | 813.00 | 960.00 | 1,575.00 |
| business advantage III stocks | \$138.00 | 164.00 | 225.00 | 322.00 | 530.00 | 1,060.00 | 1,325.00 | 1,590.00 | 2,650.00 |
| business premier stocks | \$175.00 | 330.00 | 551.00 | 918.00 | 1,530.00 | 3,060.00 | 3,825.00 | 4,590.00 | 7,650.00 |
| green inspiration stocks | \$50.00 | 60.00 | 74.00 | 93.00 | 130.00 | 250.00 | 312.00 | 375.00 | 625.00 |

additional printing options

(add the charges below to the top prices)

| | 50 | 100 | 250 | 500 | 1000 | 2000 | 2500 | 3000 | 5000 |
|------------------------------|---------------|-----|----------|--------|--------|--------|--------|--------|--------|
| heavy ink coverage | not available | | \$169.35 | 181.05 | 204.35 | 251.05 | 274.35 | 297.70 | 391.05 |
| uv coating | not available | | \$169.35 | 181.05 | 204.35 | 251.05 | 274.35 | 297.70 | 391.05 |
| each additional ink color | not available | | \$120.00 | 140.00 | 173.00 | 237.00 | 267.00 | 292.00 | 375.00 |
| inside copy (above pockets) | not available | | \$116.80 | 136.70 | 171.40 | 232.60 | 258.10 | 277.45 | 355.00 |
| additional foil stamp run* | not available | | \$192.30 | 229.00 | 302.30 | 448.85 | 522.20 | 595.55 | 887.45 |
| additional blind emboss run* | not available | | \$234.00 | 254.00 | 312.30 | 448.85 | 522.20 | 595.55 | 887.45 |

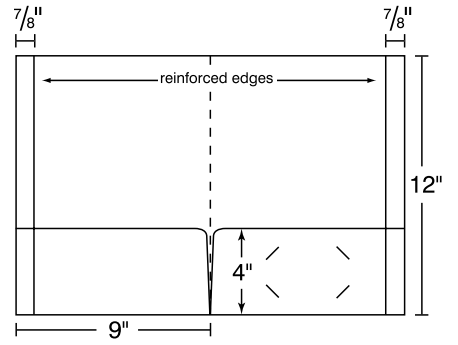
(R) *Price includes up to a 36 square inch die.

PROFIT
driver

secured pocket folder

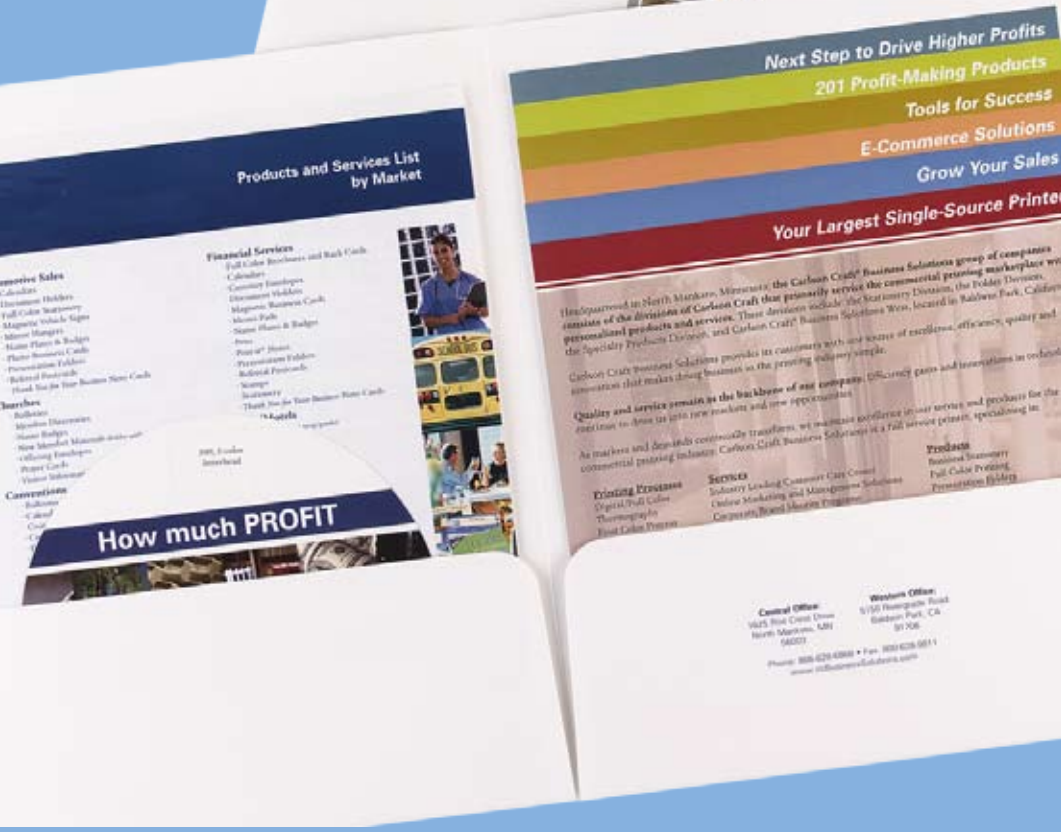
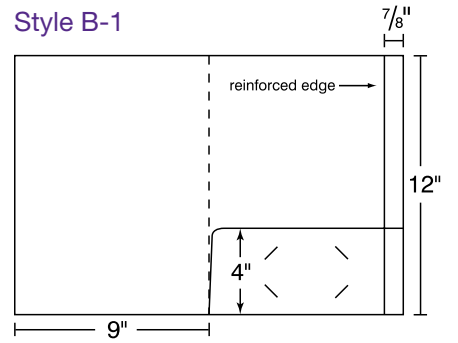
Item Number UF8-B-2

Style B-2



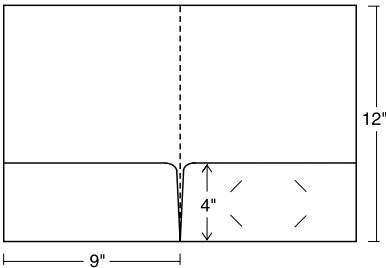
Item Number UF8-B-1

Style B-1



Item Number UF8-F-2

Style F-2



Item Number UF8-F-1

Style F-1

